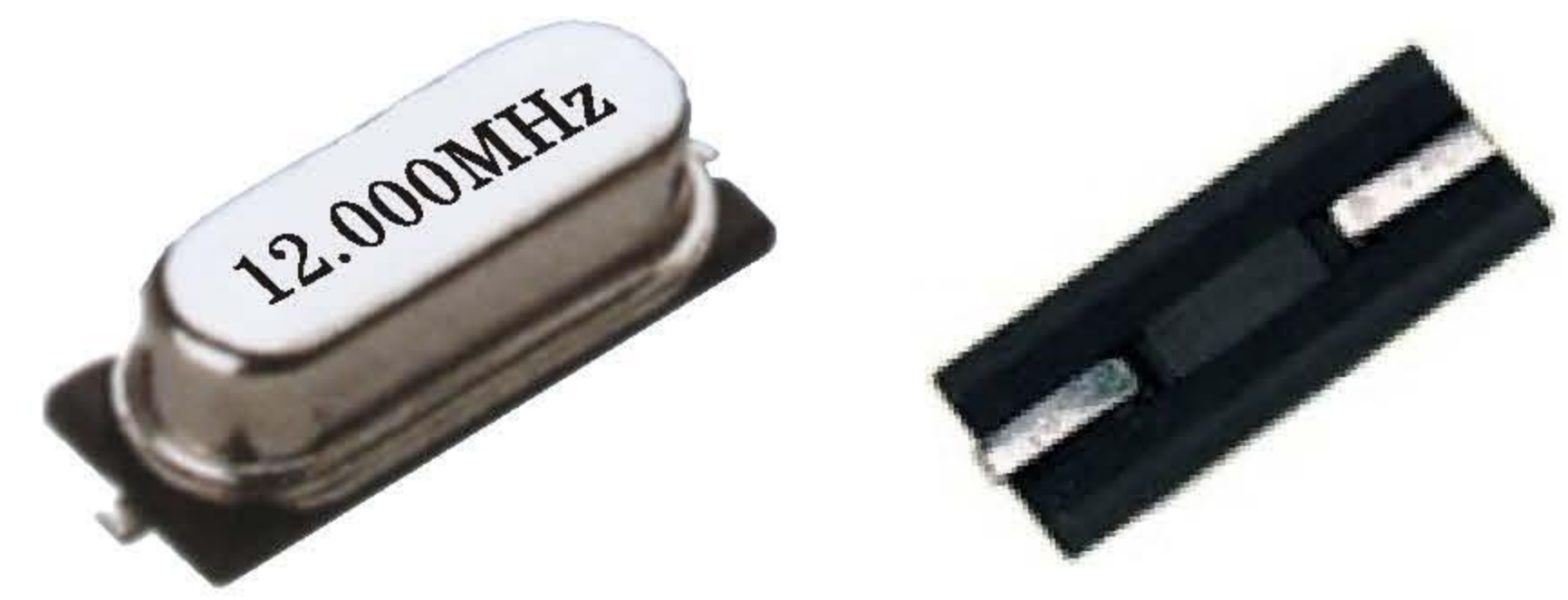


HC-49SMD



Size:12.5*4.7*4.0

Features

- Height options available
- Loose or tape & reel
- Low cost
- Excellent aging

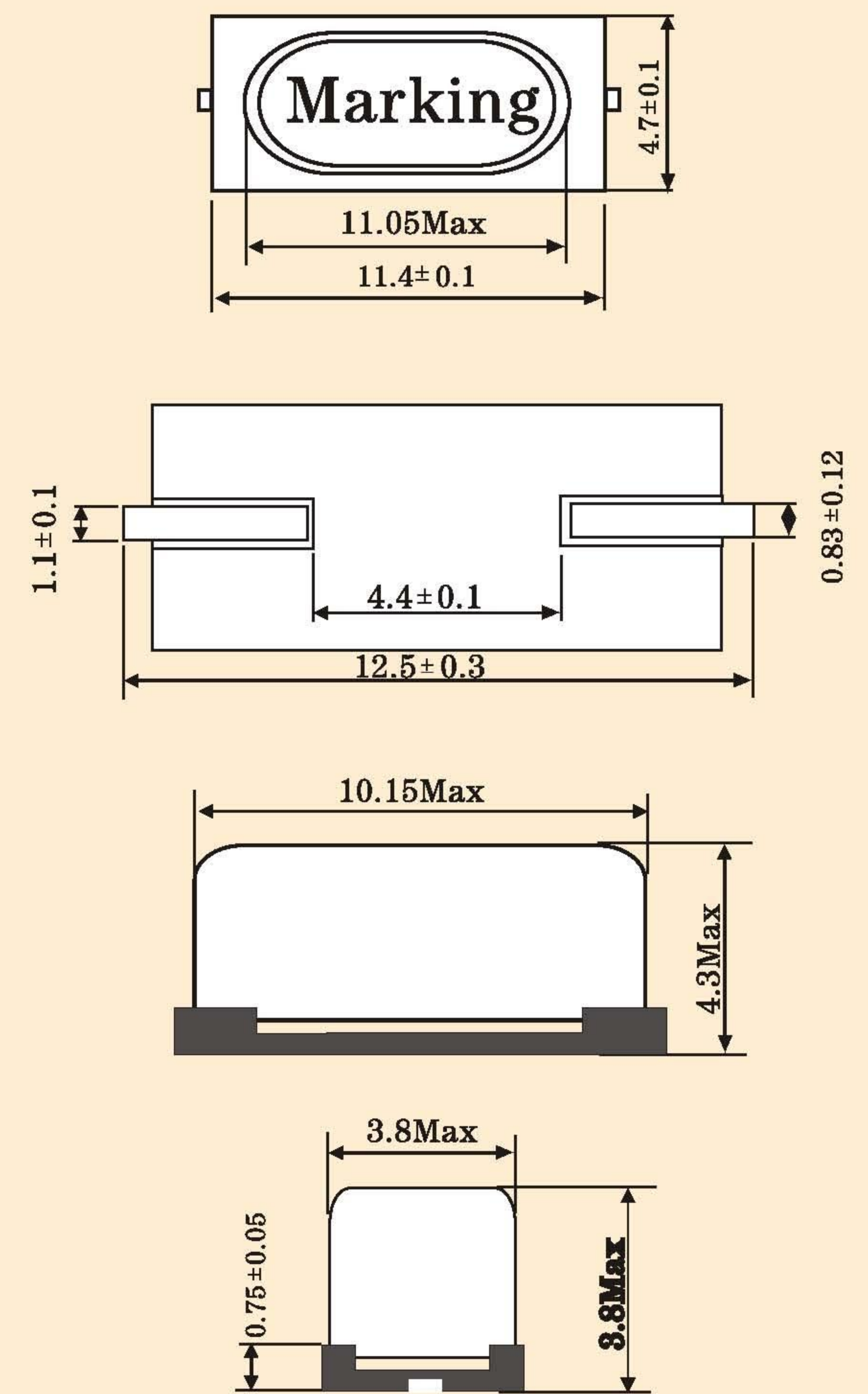
Specification (characteristics)

| | |
|--------------------------------------|---|
| Frequency Range | 3.200MHz~110.000MHz |
| Mode of Oscillation | 3.200MHz~48.000MHz Fundamental 30.000MHz~110.000MHz Third Overtone |
| Frequency Tolerance at 25℃ | ±50ppm max (±5ppm, ±10ppm, ±30ppm Available) |
| Frequency Stability Over Temperature | ±50ppm max (±5ppm, ±10ppm, ±30ppm Available) |
| Operating Temperature Range | -10℃~+60℃Standard, -40℃~+85℃Extended |
| Storage Temperature Range | -40℃~+85℃ |
| Aging | 5ppm/Year Max |
| Load Capacitance | 8pf~32pf or Series |
| Shunt Capacitance | 7.0pf Max |
| Drive Level | 0.01μW~100μW |
| Reflow Conditions | 260℃ For 10s Max, 2 Reflows Max |

Equivalent Series Resistance(ESR)

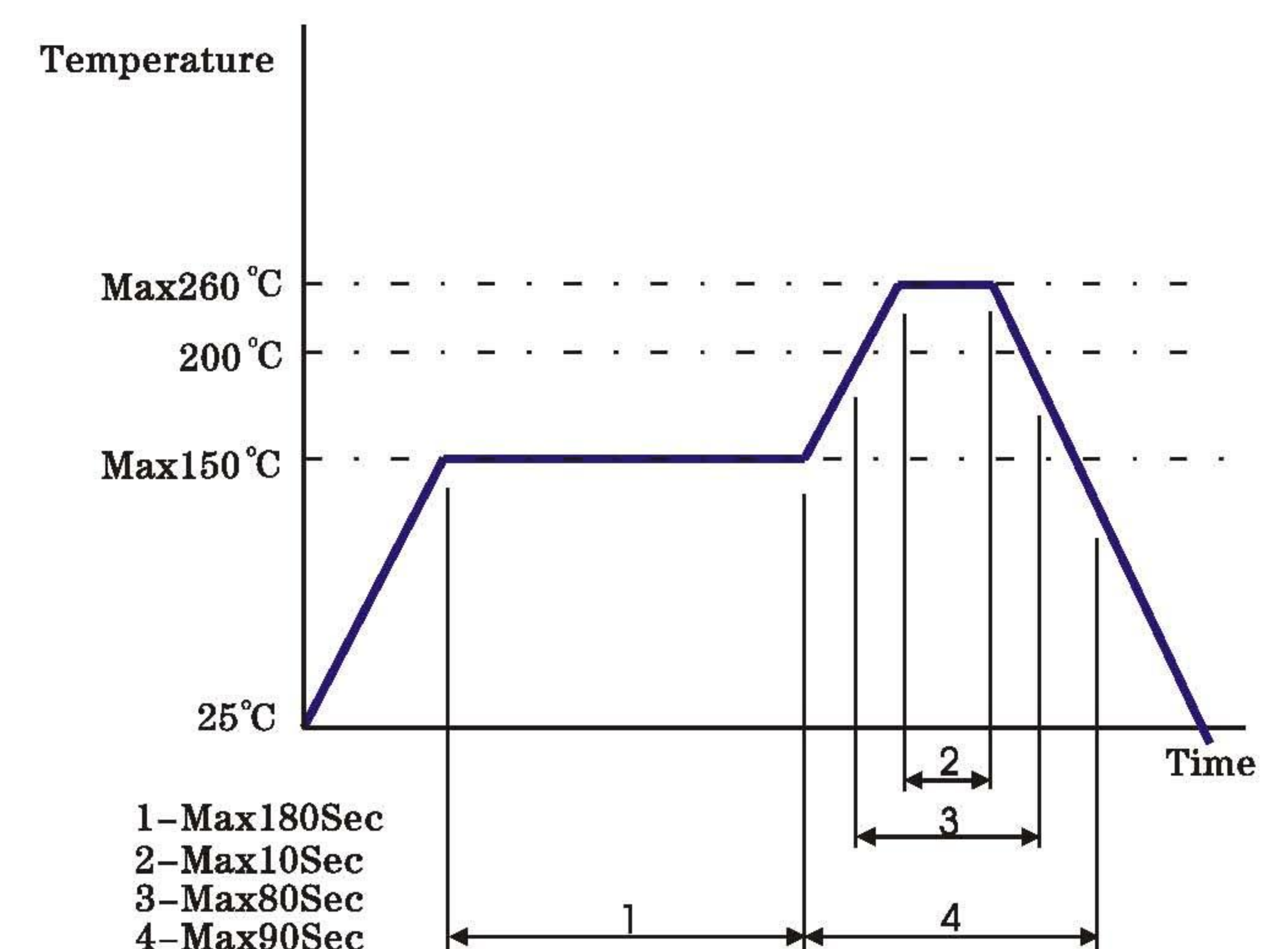
| Frequency(MHz) | Mode | Ohm Max |
|----------------|----------------|---------|
| 3.2000~4.000 | Fundamental | 120 |
| 4.001~8.000 | Fundamental | 80 |
| 8.001~30.000 | Fundamental | 40 |
| 30.001~50.000 | Third Overtone | 100 |
| 50.001~90.000 | Third Overtone | 80 |
| 90.001~110.000 | Third Overtone | 60 |

External Dimensions



SM2:49SMH=3.8±0.2
SSM2:49SSMH=3.0±0.2 Unit:mm

Solder Reflow profile



Example:920A035328-1220100 HC-49SMD,AT,12.000MHz,12pf,20ohm,±10 ppm