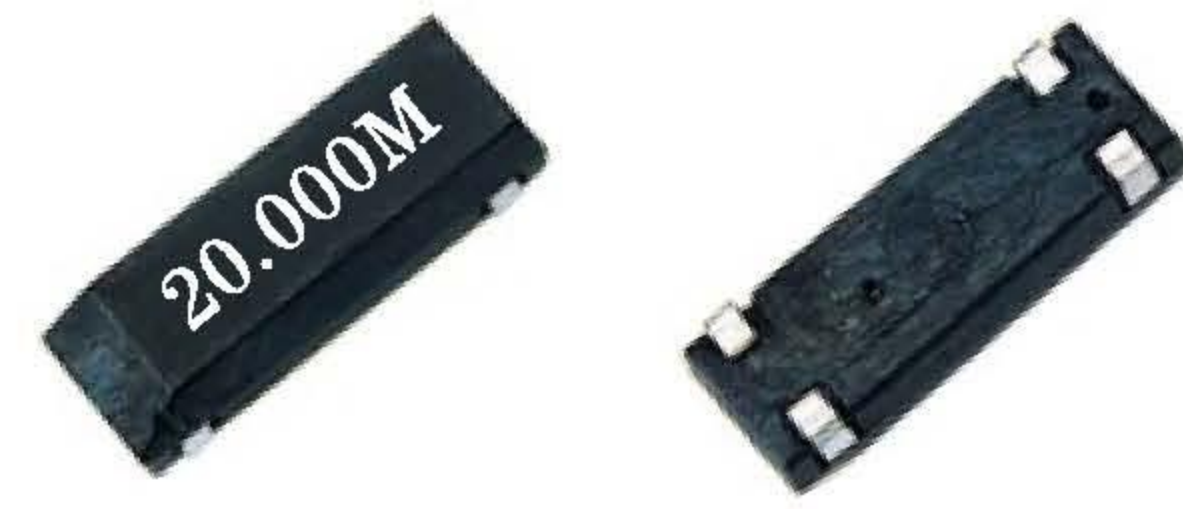


SM309



Size:12.5*4.6*3.7

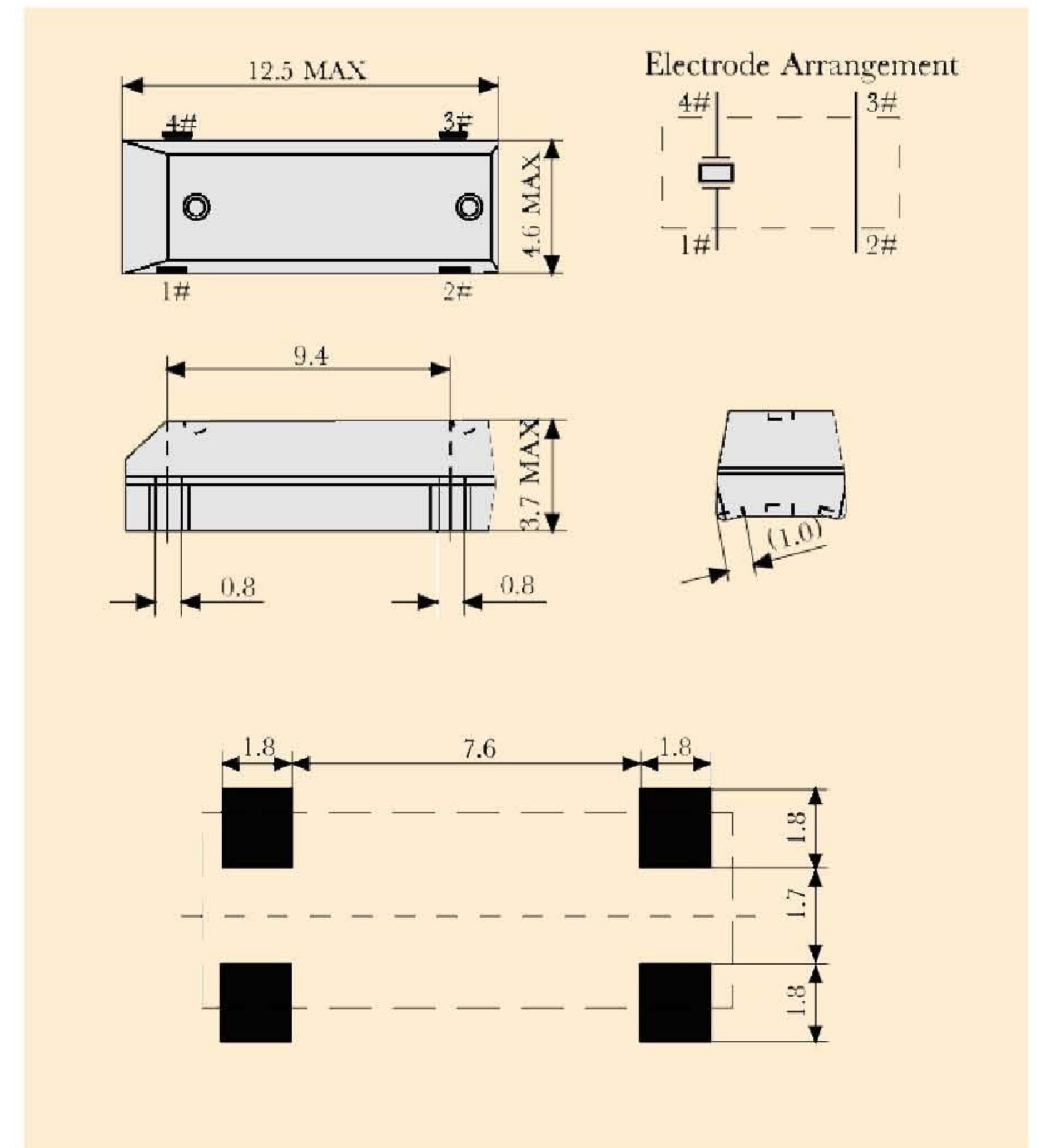
Features

- SMD Type
- Ideal for application to high-density circuit board
- Suitable for small telecommunication equipment
- Enable automatic mounting

Specification (characteristics)

Normal Frequency	f	3.579 ~ 27.000 MHz
Frequency Tolerance at 25°C	$\Delta f/f$	$\pm 15, \pm 30, \pm 50$ ppm
Frequency Stability (-10°C ~ +60°C)	$\Delta f/f$	$\pm 30, 50$ ppm
Load Capacitance	CL	16.0pF
Operating Temp. Range	Topr	-40°C ~ +85°C
Storage Temp. Range	Tstg	-55°C ~ +125°C
Resistance of Series Resonance	Rs	3.579MHz ~ 4.499MHz : 150Ω MAX 4.500MHz ~ 4.999MHz : 130Ω MAX 5.000MHz ~ 6.999MHz : 120Ω MAX 7.000MHz ~ 9.999MHz : 100Ω MAX 10.000MHz ~ 11.999MHz : 80Ω MAX 12.000MHz ~ 13.999MHz : 70Ω MAX 14.000MHz ~ 15.999MHz : 50Ω MAX 16.000MHz ~ 27.000MHz : 35Ω MAX
Drive Level	PWR	10 ~ 50ΩW
Shunt Capacitance	C0	5.0pF Max.
Insulation Resistance	IR	500MΩ at DC100 V
Aging Level	fa	± 5.0 ppm/yr MAX @ 25°C
Packing		Tape and Reel Package 2,000pcs per reel 10,000pcs per export carton

External Dimensions



Frequency Vs Temperature

