

SMD7050/2p

Features

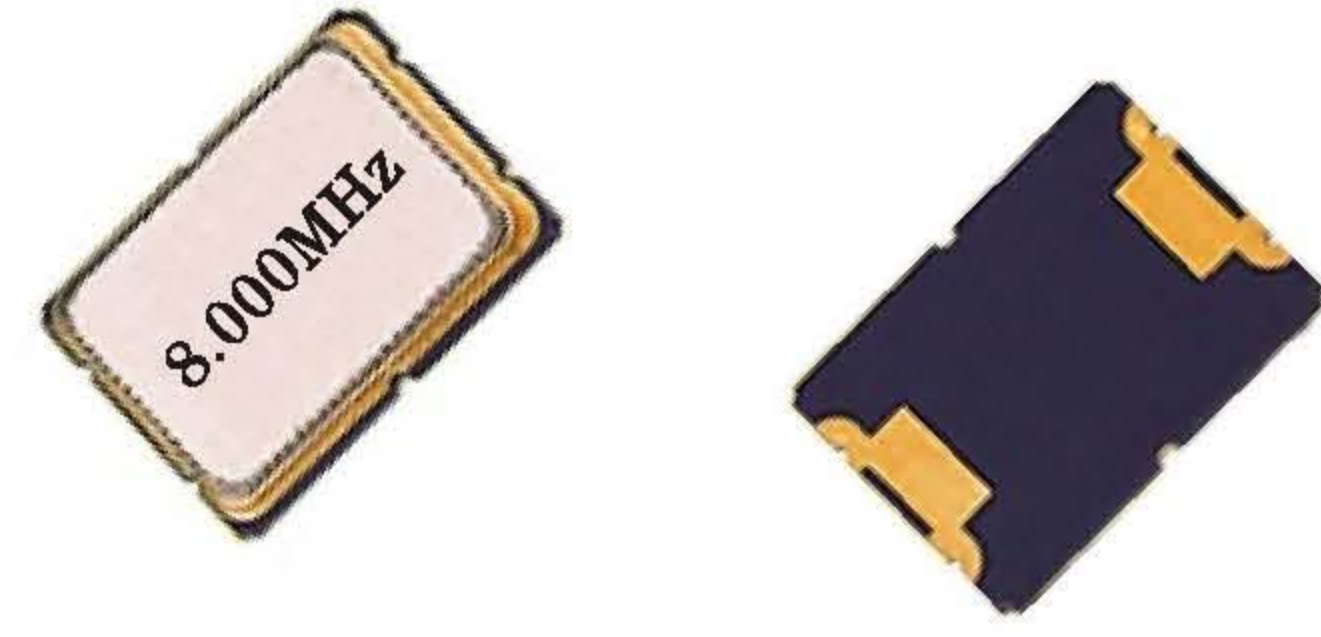
- Seam welded / lower aging
- Competitively priced
- Wide frequency range
- Many specification options

Specification (characteristics)

Frequency Range	6.000MHz~110.000MHz
Mode of Oscillation	6.000MHz~48.000MHz Fundamental 30.000MHz~110.000MHz Third Overtone
Frequency Tolerance at 25°C	±50ppm max (±5ppm, ±10ppm, ±30ppm Available)
Frequency Stability Over Temperature	±50ppm max (±5ppm, ±10ppm, ±30ppm Available)
Operating Temperature Range	-10°C~+60°C Standard, -40°C~+85°C Extended
Storage Temperature Range	-40°C~+85°C
Aging	±5ppm/Year Max
Load Capacitance	8pf~32pf or Series
Shunt Capacitance	5.0pf Max
Drive Level	0.01µW~100µW
Reflow Conditions	260°C FOR 10s Max, 2 Reflows Max

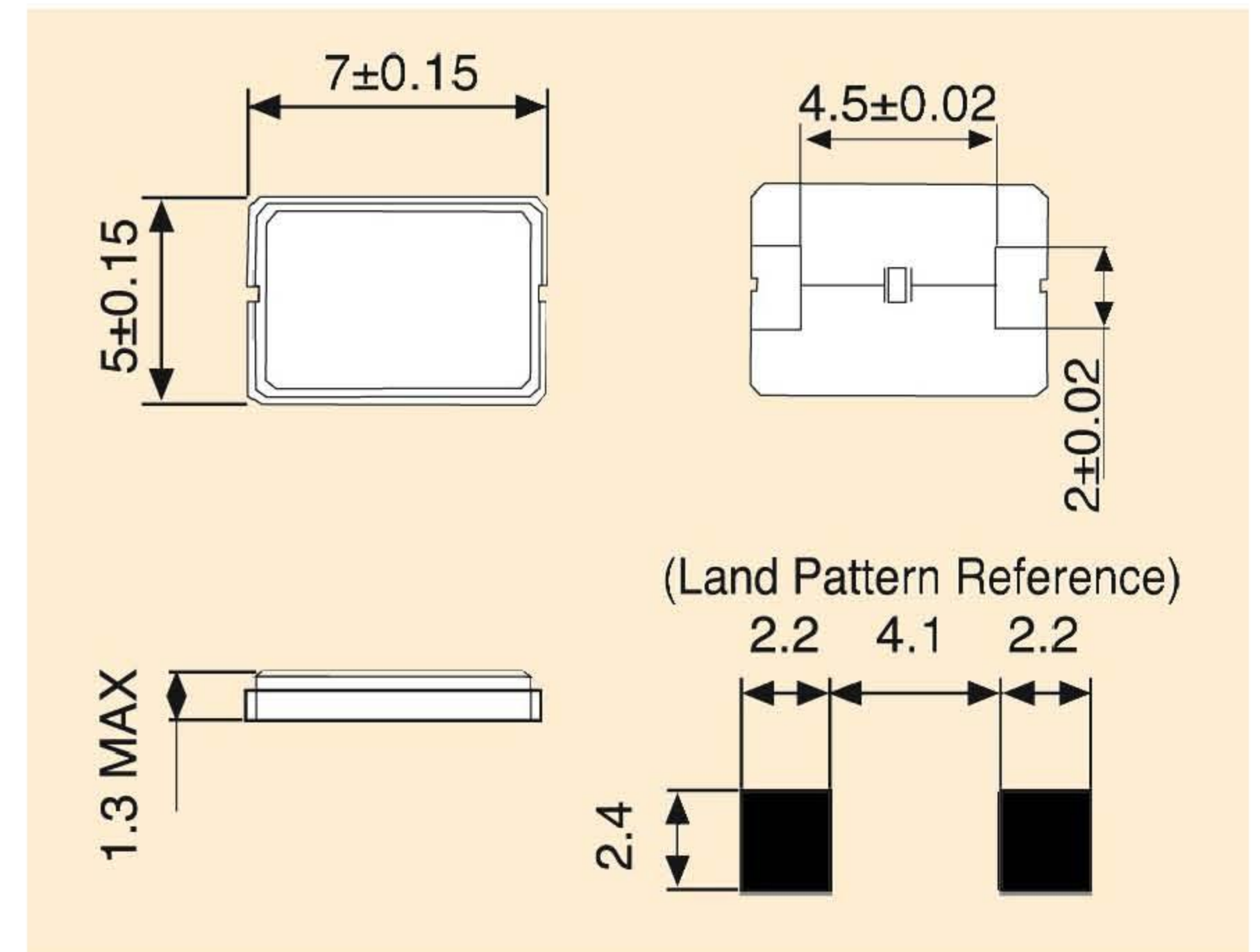
Equivalent Series Resistance(ESR)

Frequency(MHz)	Mode	Ohm Max
6.000~16.000	Fundamental	60
16.001~30.000	Fundamental	40
30.001~50.000	Third Overtone	80
50.001~110.000	Third Overtone	70

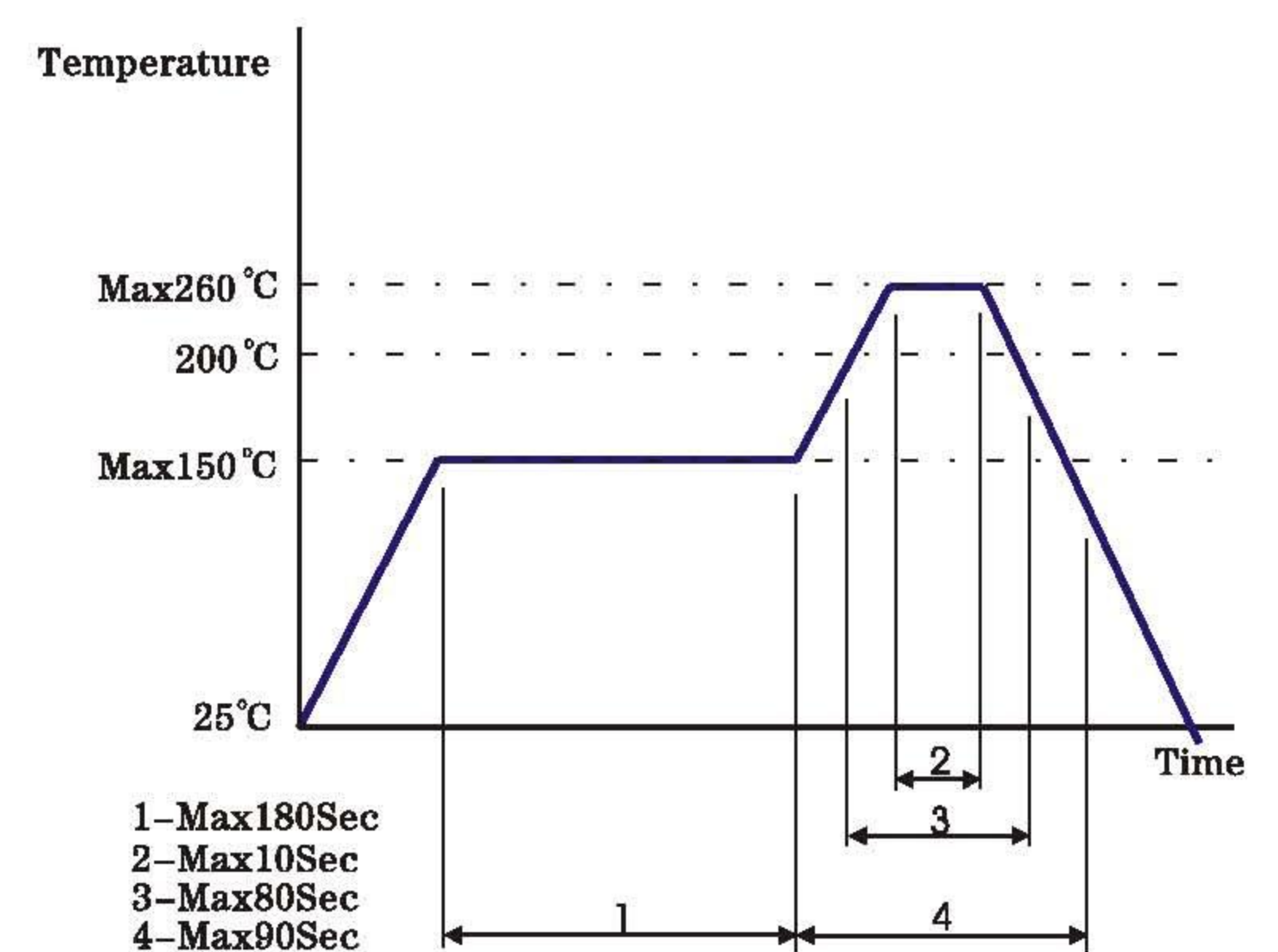


Size:7.0*5.0*1.5

External Dimensions



Solder Reflow profile



Example:976A024000-1640300 Seam Sealed SMD7050,2pad,8.000MHz,16pf,40Ohm,±30 ppm